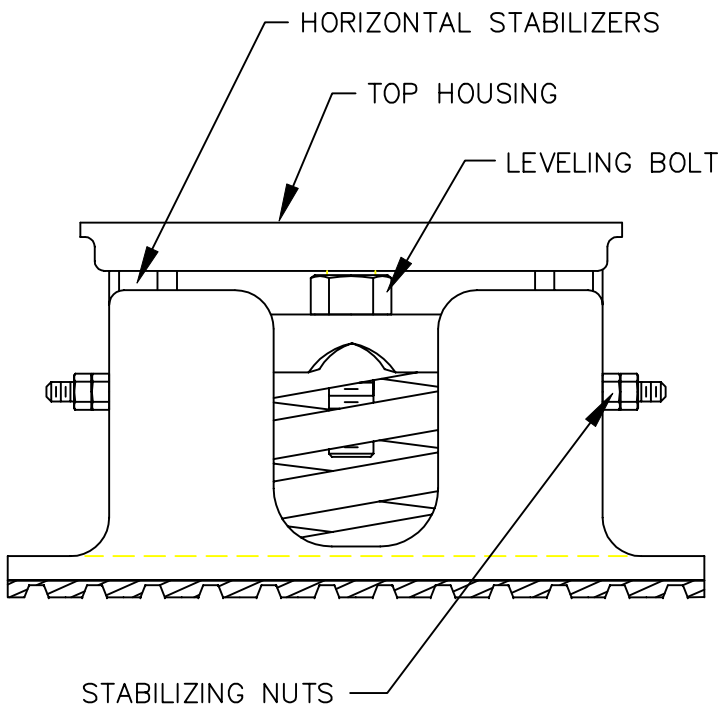


# INSTALLATION INSTRUCTIONS FOR KINETICS SPRING ISOLATION MOUNTS—TYPE SM



1. Elevate the equipment enough to slide the spring isolator under the equipment.
2. Coordinate the location of each isolator with the appropriate submittal drawing and with the color code chart provided for each spring.
3. Loosen both horizontal stabilizing nuts so that they are finger tight.
4. Lower the equipment onto the spring isolator, taking care not to overload any one isolator.
5. Turn the leveling nut clockwise on the lowest equipment corner until the equipment is level. Do not attempt to place all the weight on any one spring, but distribute the load proportionately.
6. Continue to turn each leveling nut until the top load plate reaches operating height, shown in the appropriate submittal drawing, or until the top housing clears the bottom housing by 1/4" to 3/8".
7. When the equipment is completely installed and operating, tighten each horizontal stabilizing nut only tight enough to reduce motion of the supported equipment to a minimum. Overly tight horizontal stabilizing nuts will increase the transmission of vibration to the structure, while too loose stabilizing nuts will result in excessive equipment vibration.
8. Do not attempt to move the isolators laterally with the weight of the equipment on them. If it is necessary to move the equipment, remove the weight from the isolators by raising the equipment before moving. Failure to follow these procedure could result in bent or broken isolator housings or slippage between the noise pad and the bottom housing.